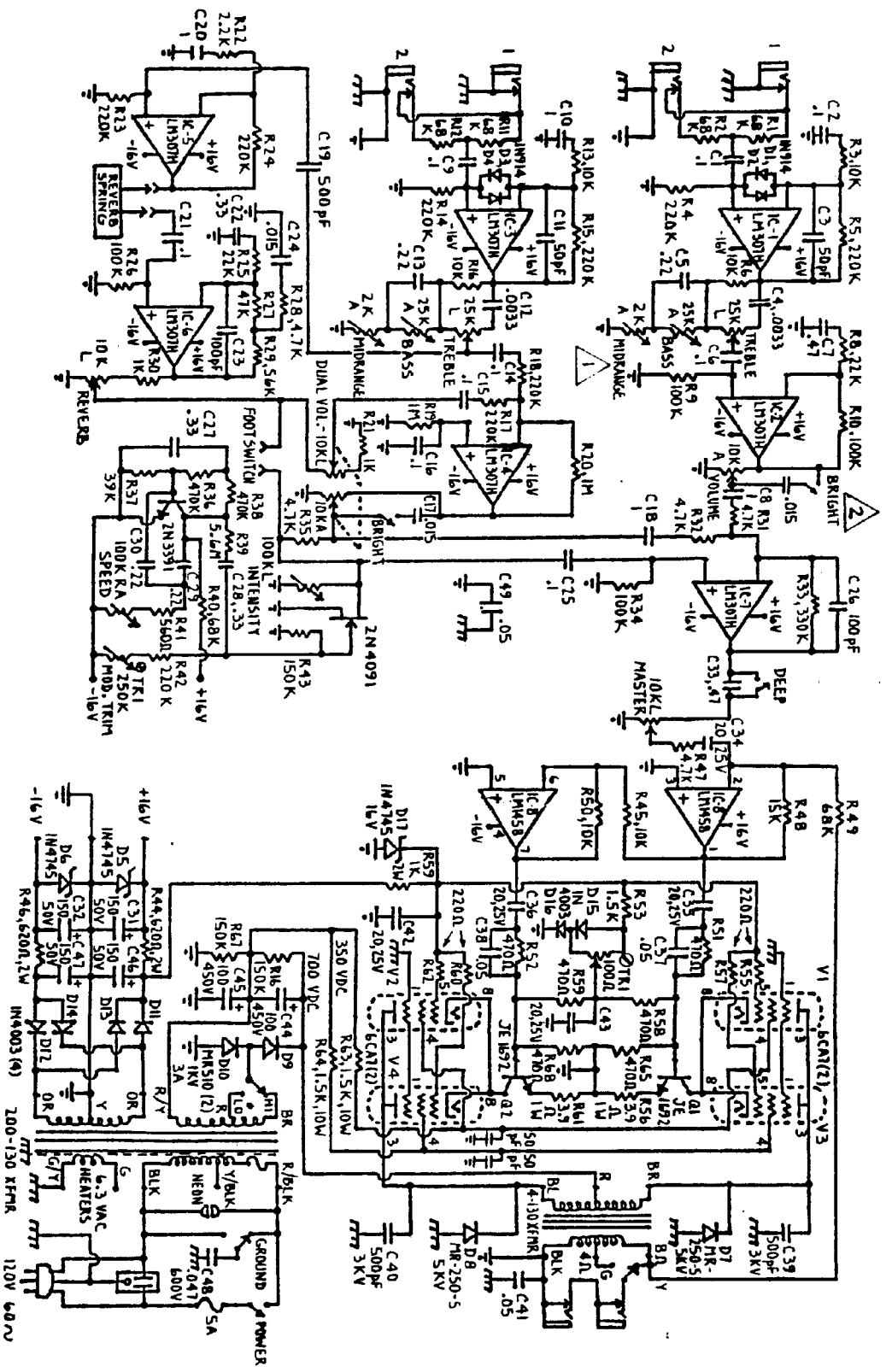







# Amplifier Schematics

Chassis Numbers: 2475-130  
2275-130



NOTE:  ON 2275 CHASSIS, BRIGHT SWITCH & .015 MUF CAP. ARE ELIMINATED.

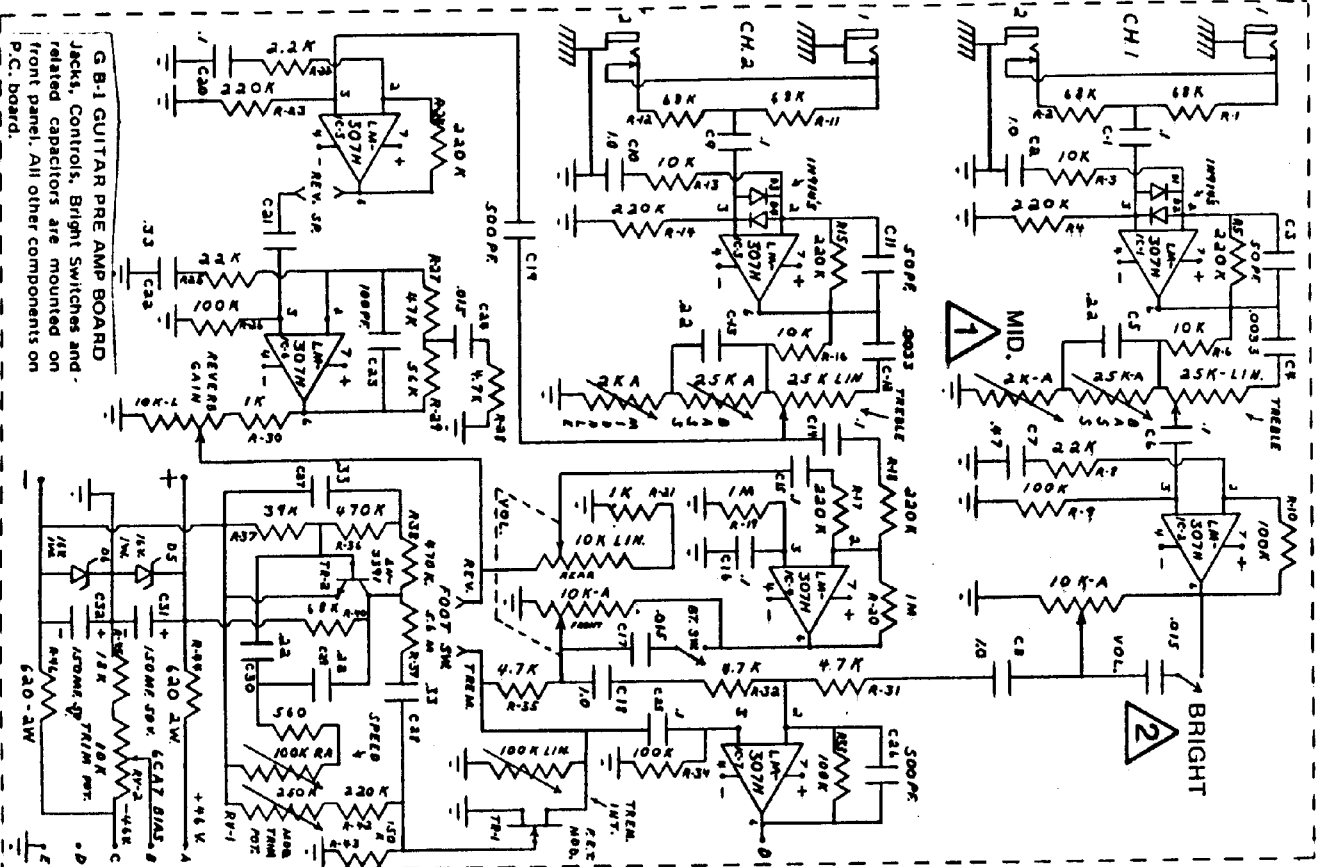
 ON 2275 CHASSIS, MIDRANGE IS REPLACED BY 820Ω RESISTOR.

CHASSIS NO 2475-130  
 2275-130

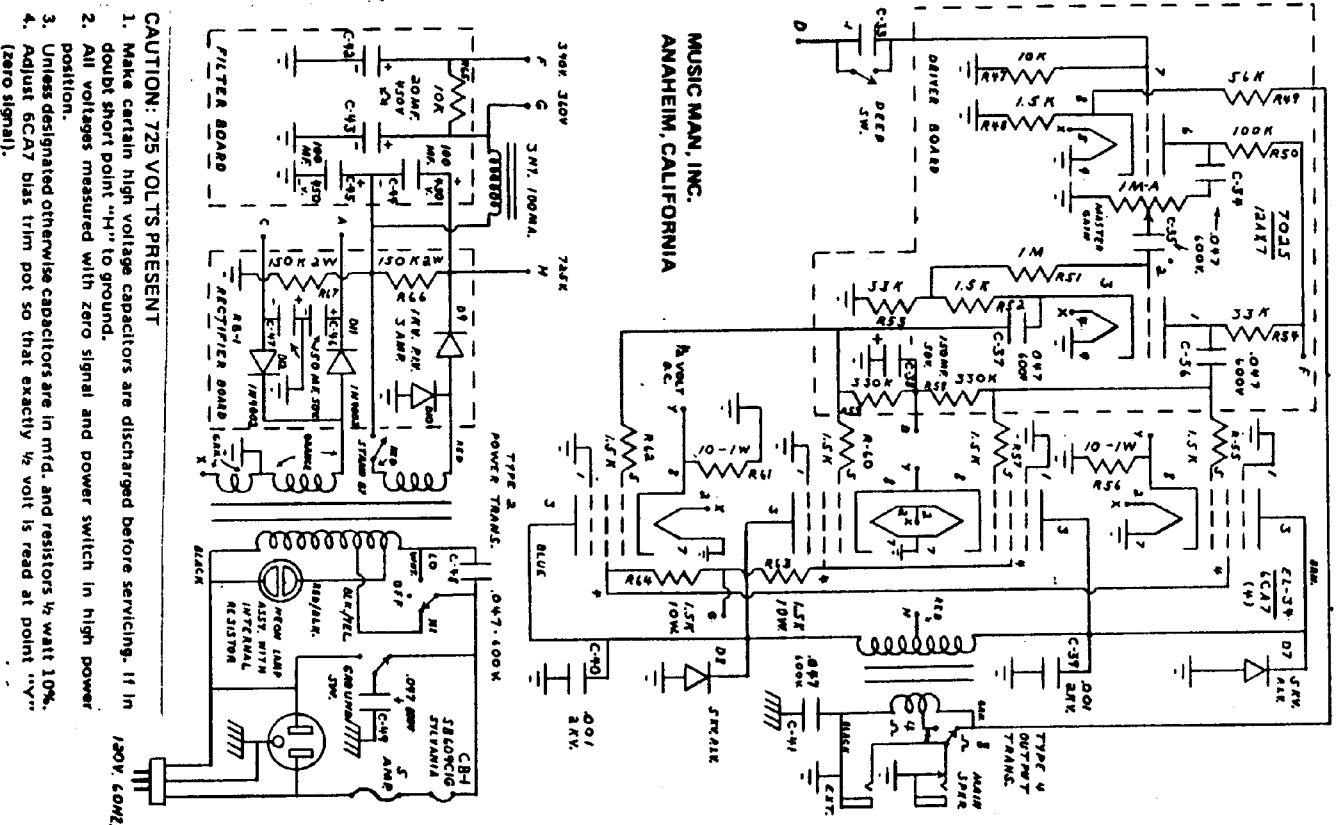
MUSIC MAN INC.  
 ANAHEIM, CA.

# CHASSIS NO. 2275-130 & 2475-130

**2** ON 2275 CHASSIS, BRIGHT SWITCH & .015 CAP. ARE ELIMINATED.  
**1** ON 2275 CHASSIS, MIDRANGE IS REPLACED BY 820Ω RESISTOR.



**G-B-1 GUITAR PRE AMP BOARD**  
 Jacks, Controls, Bright Switches and related capacitors are mounted on front panel. All other components on P.C. board.



**CAUTION: 725 VOLTS PRESENT**  
 1. Make certain high voltage capacitors are discharged before servicing. If in doubt short point "H" to ground.  
 2. All voltages measured with zero signal and power switch in high power position.  
 3. Unless designated otherwise capacitors are in mfd. and resistors 1/2 watt 10%.  
 4. Adjust 6CA7 bias trim pot so that exactly 1/2 volt is read at point "V" (zero signal).

MUSIC MAN, INC.  
 ANAHEIM, CALIFORNIA